

Please note that the data given here has been taken from the online catalog. For comprehensive information and data, please refer to the user documentation at <http://www.download.phoenixcontact.com>. The General Terms and Conditions of Use apply to Internet downloads.

## ► Extract from the online catalog



Cable housing, for cable diameters of 4 - 11 mm, clamp, marker strips and transparent label carrier are included, color: green, no. of positions: 8

Order No.	1834408
Ord designation	KGG-MC 1,5/ 8
EAN	4017918051921
Pack	10 Pcs.
Customs tariff	85369010
Weight/Piece	0.00867 KG
Catalog page information	Page 167 (CC-2007)

## ► Product notes

WEEE/RoHS-compliant since: 01/01/2003



**IMPORTANT :** This date is valid for Customers in Germany only. Date Format is MM/DD/YYYY. Please contact your local in-country Phoenix Contact location or designated business partner for a Logistics Compliant date in your area. In order to guarantee delivery of RoHS-Compliant product, please purchase Phoenix Contact parts from authorized Phoenix Contact representatives and distributors.

KGG-MC 1,5/ 8

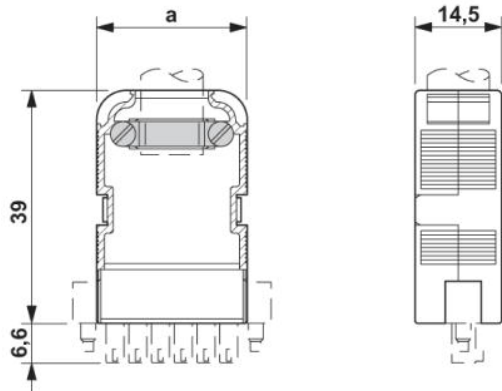


---

▶ Drawings

---

Dimensioned drawing



**► Accessories**

---

Item	Designation	Description
<b>Marking</b>		
1839050	KGG-MC 1,5/ DST	Transparent label carrier, can be marked with marker strips SBS 10
1007248	SBS10:UNBEDRUCKT	Marker cards, unprinted, for individual labeling with the M-PEN, 250-section, perforated, white plastic

---

---

## ► Address

---

PHOENIX CONTACT GmbH & Co. KG  
Flachsmarktstr. 8  
32825 Blomberg  
Germany  
Phone +49 5235 3 00  
Fax +49 5235 3 41200  
<http://www.phoenixcontact.de>  
Phoenix Contact  
Technical modifications reserved;